



1 Megabit CMOS Flash Memory **Licensed Intel second source**



FEATURES

- Fast read access time: 90/120 ns
- Low power CMOS dissipation:
 - Active: 30 mA max (CMOS/TTL levels)
 - Standby: 1 mA max (TTL levels)
 - Standby: 100 μ A max (CMOS levels)
- High speed programming:
 - 10 μ s per byte
 - 2 Sec Typ Chip Program
- 0.5 seconds typical chip-erase
- 12.0V \pm 5% programming and erase voltage
- Stop timer for program/erase
- Commercial, industrial and automotive temperature ranges
- On-chip address and data latches
- JEDEC standard pinouts:
 - 32-pin DIP
 - 32-pin PLCC
 - 32-pin TSOP (8 x 20)
- 100,000 program/erase cycles
- 10 year data retention
- Electronic signature

DESCRIPTION

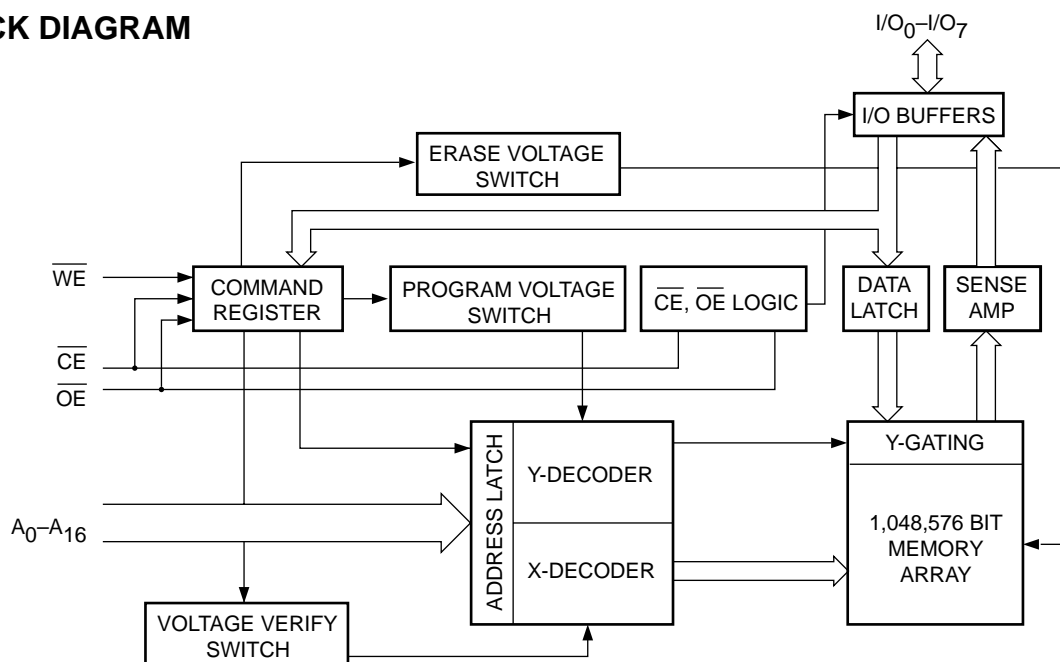
The CAT28F010 is a high speed 128K x 8-bit electrically erasable and reprogrammable Flash memory ideally suited for applications requiring in-system or after-sale code updates. Electrical erasure of the full memory contents is achieved typically within 0.5 second.

It is pin and Read timing compatible with standard EPROM and EEPROM devices. Programming and Erase are performed through an operation and verify algorithm. The instructions are input via the I/O bus,

using a two write cycle scheme. Address and Data are latched to free the I/O bus and address bus during the write operation.

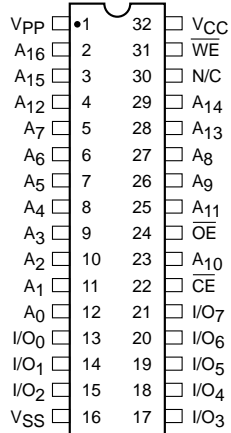
The CAT28F010 is manufactured using Catalyst's advanced CMOS floating gate technology. It is designed to endure 100,000 program/erase cycles and has a data retention of 10 years. The device is available in JEDEC approved 32-pin plastic DIP, 32-pin PLCC or 32-pin TSOP packages.

BLOCK DIAGRAM

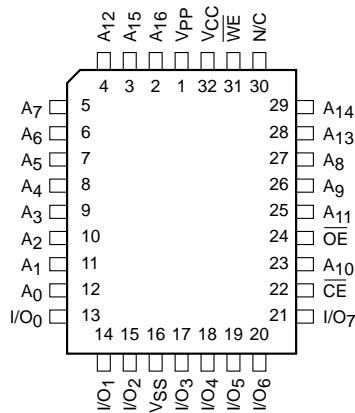


PIN CONFIGURATION

DIP Package (L)



PLCC Package (N, G)



PIN FUNCTIONS

| Pin Name | Type | Function |
|------------------------------------|-------|--------------------------------------|
| A ₀ –A ₁₆ | Input | Address Inputs for memory addressing |
| I/O ₀ –I/O ₇ | I/O | Data Input/Output |
| \overline{CE} | Input | Chip Enable |
| \overline{OE} | Input | Output Enable |
| \overline{WE} | Input | Write Enable |
| V _{CC} | | Voltage Supply |
| V _{SS} | | Ground |
| V _{PP} | | Program/Erase Voltage Supply |

TSOP Package (Standard Pinout 8mm x 20mm) (T, H)



TSOP Package (Reverse Pinout) (TR, HR)



ABSOLUTE MAXIMUM RATINGS*

Temperature Under Bias -45°C to +130°C
 Storage Temperature -65°C to +150°C
 Voltage on Any Pin with
 Respect to Ground⁽¹⁾ -2.0V to +V_{CC} + 2.0V
 Voltage on Pin A₉ with
 Respect to Ground⁽¹⁾ -2.0V to +13.5V
 V_{PP} with Respect to Ground
 during Program/Erase⁽¹⁾ -2.0V to +14.0V
 V_{CC} with Respect to Ground⁽¹⁾ -2.0V to +7.0V
 Package Power Dissipation
 Capability (T_A = 25°C) 1.0 W
 Lead Soldering Temperature (10 secs) 300°C
 Output Short Circuit Current⁽²⁾ 100 mA

***COMMENT**

Stresses above those listed under “Absolute Maximum Ratings” may cause permanent damage to the device. These are stress ratings only, and functional operation of the device at these or any other conditions outside of those listed in the operational sections of this specification is not implied. Exposure to any absolute maximum rating for extended periods may affect device performance and reliability.

RELIABILITY CHARACTERISTICS

| Symbol | Parameter | Min | Max | Units | Test Method |
|------------------------------------|--------------------|------|-----|-------------|-------------------------------|
| N _{END} ⁽³⁾ | Endurance | 100K | | Cycles/Byte | MIL-STD-883, Test Method 1033 |
| T _{DR} ⁽³⁾ | Data Retention | 10 | | Years | MIL-STD-883, Test Method 1008 |
| V _{ZAP} ⁽³⁾ | ESD Susceptibility | 2000 | | Volts | MIL-STD-883, Test Method 3015 |
| I _{LTH} ⁽³⁾⁽⁴⁾ | Latch-Up | 100 | | mA | JEDEC Standard 17 |

CAPACITANCE T_A = 25°C, f = 1.0 MHz

| Symbol | Test | Limits | | Units | Conditions |
|---------------------------------|------------------------------------|--------|------|-------|-----------------------|
| | | Min | Max. | | |
| C _{IN} ⁽³⁾ | Input Pin Capacitance | | 6 | pF | V _{IN} = 0V |
| C _{OUT} ⁽³⁾ | Output Pin Capacitance | | 10 | pF | V _{OUT} = 0V |
| C _{VPP} ⁽³⁾ | V _{PP} Supply Capacitance | | 25 | pF | V _{PP} = 0V |

Note:

- (1) The minimum DC input voltage is -0.5V. During transitions, inputs may undershoot to -2.0V for periods of less than 20 ns. Maximum DC voltage on output pins is V_{CC} +0.5V, which may overshoot to V_{CC} + 2.0V for periods of less than 20ns.
- (2) Output shorted for no more than one second. No more than one output shorted at a time.
- (3) This parameter is tested initially and after a design or process change that affects the parameter.
- (4) Latch-up protection is provided for stresses up to 100 mA on address and data pins from -1V to V_{CC} +1V.

D.C. OPERATING CHARACTERISTICS

V_{CC} = +5V ±10%, unless otherwise specified.

| Symbol | Parameter | Limits | | | Test Conditions |
|---------------------------------|---|----------------------|----------------------|------|--|
| | | Min. | Max. | Unit | |
| I _{LI} | Input Leakage Current | | ±1 | µA | V _{IN} = V _{CC} or V _{SS} V _{CC} = 5.5V, \overline{OE} = V _{IH} |
| I _{LO} | Output Leakage Current | | ±1 | µA | V _{OUT} = V _{CC} or V _{SS} , V _{CC} = 5.5V, \overline{OE} = V _{IH} |
| I _{SB1} | V _{CC} Standby Current CMOS | | 100 | µA | \overline{CE} = V _{CC} ±0.5V, V _{CC} = 5.5V |
| I _{SB2} | V _{CC} Standby Current TTL | | 1 | mA | \overline{CE} = V _{IH} , V _{CC} = 5.5V |
| I _{CC1} | V _{CC} Active Read Current | | 30 | mA | V _{CC} = 5.5V, \overline{CE} = V _{IL} , I _{OUT} = 0mA, f = 6 MHz |
| I _{CC2} ⁽¹⁾ | V _{CC} Programming Current | | 15 | mA | V _{CC} = 5.5V, Programming in Progress |
| I _{CC3} ⁽¹⁾ | V _{CC} Erase Current | | 15 | mA | V _{CC} = 5.5V, Erasure in Progress |
| I _{CC4} ⁽¹⁾ | V _{CC} Prog./Erase Verify Current | | 15 | mA | V _{CC} = 5.5V, Program or Erase Verify in Progress |
| I _{PPS} | V _{PP} Standby Current | | ±10 | µA | V _{PP} = V _{PPL} |
| I _{PP1} | V _{PP} Read Current | | 200 | µA | V _{PP} = V _{PPH} |
| I _{PP2} ⁽¹⁾ | V _{PP} Programming Current | | 30 | mA | V _{PP} = V _{PPH} , Programming in Progress |
| I _{PP3} ⁽¹⁾ | V _{PP} Erase Current | | 30 | mA | V _{PP} = V _{PPH} , Erasure in Progress |
| I _{PP4} ⁽¹⁾ | V _{PP} Prog./Erase Verify Current | | 5 | mA | V _{PP} = V _{PPH} , Program or Erase Verify in Progress |
| V _{IL} | Input Low Level TTL | -0.5 | 0.8 | V | |
| V _{ILC} | Input Low Level CMOS | -0.5 | 0.8 | V | |
| V _{OL} | Output Low Level | | 0.45 | V | I _{OL} = 5.8mA, V _{CC} = 4.5V |
| V _{IH} | Input High Level TTL | 2 | V _{CC} +0.5 | V | |
| V _{IHC} | Input High Level CMOS | V _{CC} *0.7 | V _{CC} +0.5 | V | |
| V _{OH1} | Output High Level TTL | 2.4 | | V | I _{OH} = -2.5mA, V _{CC} = 4.5V |
| V _{OH2} | Output High Level CMOS | V _{CC} -0.4 | | V | I _{OH} = -400µA, V _{CC} = 4.5V |
| V _{ID} | A ₉ Signature Voltage | 11.4 | 13 | V | A ₉ = V _{ID} |
| I _{ID} ⁽¹⁾ | A ₉ Signature Current | | 200 | µA | A ₉ = V _{ID} |
| V _{LO} | V _{CC} Erase/Prog. Lockout Voltage | 2.5 | | V | |

Note:

(1) This parameter is tested initially and after a design or process change that affects the parameter.

SUPPLY CHARACTERISTICS

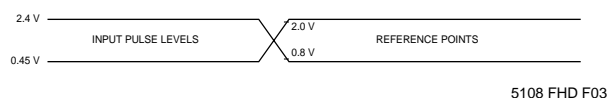
| Symbol | Parameter | Limits | | Unit |
|------------------|---|--------|------|------|
| | | Min | Max. | |
| V _{CC} | V _{CC} Supply Voltage | 4.5 | 5.5 | V |
| V _{PPL} | V _{PP} During Read Operations | 0 | 6.5 | V |
| V _{PPH} | V _{PP} During Read/Erase/Program | 11.4 | 12.6 | V |

A.C. CHARACTERISTICS, Read Operation

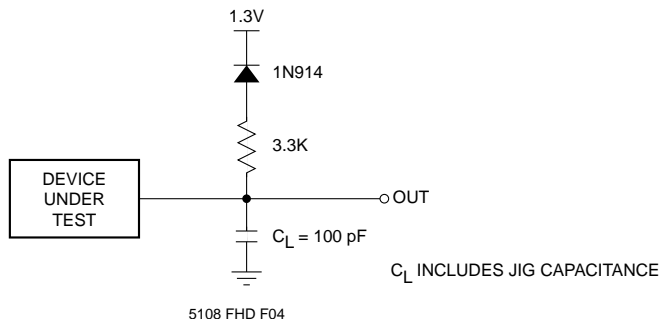
V_{CC} = +5V ±10%, unless otherwise specified.

| JEDEC Symbol | Standard Symbol | Parameter | 28F010-90 ⁽⁷⁾ | | 28F010-12 ⁽⁷⁾ | | Unit |
|----------------------------------|------------------------------------|---|--------------------------|-----|--------------------------|-----|------|
| | | | Min | Max | Min | Max | |
| t _{AVAV} | t _{RC} | Read Cycle Time | 90 | | 120 | | ns |
| t _{ELQV} | t _{CE} | \overline{CE} Access Time | | 90 | | 120 | ns |
| t _{AVQV} | t _{ACC} | Address Access Time | | 90 | | 120 | ns |
| t _{GLQV} | t _{OE} | \overline{OE} Access Time | | 35 | | 50 | ns |
| t _{AXQX} | t _{OH} | Output Hold from Address $\overline{OE}/\overline{CE}$ Change | 0 | | 0 | | ns |
| t _{GLQX} | t _{OLZ} ⁽¹⁾⁽⁶⁾ | \overline{OE} to Output in Low-Z | 0 | | 0 | | ns |
| t _{ELZX} | t _{LZ} ⁽¹⁾⁽⁶⁾ | \overline{CE} to Output in Low-Z | 0 | | 0 | | ns |
| t _{GHQZ} | t _{DF} ⁽¹⁾⁽²⁾ | \overline{OE} High to Output High-Z | | 20 | | 30 | ns |
| t _{EHQZ} | t _{DF} ⁽¹⁾⁽²⁾ | \overline{CE} High to Output High-Z | | 30 | | 40 | ns |
| t _{WHGL} ⁽¹⁾ | - | Write Recovery Time Before Read | 6 | | 6 | | μs |

Figure 1. A.C. Testing Input/Output Waveform⁽³⁾⁽⁴⁾⁽⁵⁾



Testing Load Circuit (example)



Note:

- (1) This parameter is tested initially and after a design or process change that affects the parameter.
- (2) Output floating (High-Z) is defined as the state where the external data line is no longer driven by the output buffer.
- (3) Input Rise and Fall Times (10% to 90%) < 10 ns.
- (4) Input Pulse Levels = 0.45V and 2.4V. For High Speed Input Pulse Levels 0.0V and 3.0V.
- (5) Input and Output Timing Reference = 0.8V and 2.0V. For High Speed Input and Output Timing Reference = 1.5V.
- (6) Low-Z is defined as the state where the external data may be driven by the output buffer but may not be valid.
- (7) For load and reference points, see Fig. 1

A.C. CHARACTERISTICS, Program/Erase Operation

V_{CC} = +5V ±10%, unless otherwise specified.

| JEDEC Symbol | Standard Symbol | Parameter | 28F010-90 | | | 28F010-12 | | | Unit |
|-----------------------------------|--------------------|---|-----------|-----|-----|-----------|-----|-----|------|
| | | | Min | Typ | Max | Min | Typ | Max | |
| t _{AVAV} | t _{WC} | Write Cycle Time | 90 | | | 120 | | | ns |
| t _{AVWL} | t _{AS} | Address Setup Time | 0 | | | 0 | | | ns |
| t _{WLAX} | t _{AH} | Address Hold Time | 40 | | | 40 | | | ns |
| t _{DVWH} | t _{DS} | Data Setup Time | 40 | | | 40 | | | ns |
| t _{WHDX} | t _{DH} | Data Hold Time | 10 | | | 10 | | | ns |
| t _{ELWL} | t _{CS} | \overline{CE} Setup Time | 0 | | | 0 | | | ns |
| t _{WHEH} | t _{CH} | \overline{CE} Hold Time | 0 | | | 0 | | | ns |
| t _{WLWH} | t _{WP} | \overline{WE} Pulse Width | 40 | | | 40 | | | ns |
| t _{WHWL} | t _{WPH} | \overline{WE} High Pulse Width | 20 | | | 20 | | | ns |
| t _{WHWH1} ⁽²⁾ | - | Program Pulse Width | 10 | | | 10 | | | μs |
| t _{WHWH2} ⁽²⁾ | - | Erase Pulse Width | 9.5 | | | 9.5 | | | ms |
| t _{WHGL} | - | Write Recovery Time Before Read | 6 | | | 6 | | | μs |
| t _{GHWL} | - | Read Recovery Time Before Write | 0 | | | 0 | | | μs |
| t _{VPEL} | - | V _{PP} Setup Time to \overline{CE} | 100 | | | 100 | | | ns |

ERASE AND PROGRAMMING PERFORMANCE (1)

| Parameter | 28F010-90 | | | 28F010-12 | | | Unit |
|-------------------------------------|-----------|-----|------|-----------|-----|------|------|
| | Min | Typ | Max | Min | Typ | Max | |
| Chip Erase Time ⁽³⁾⁽⁵⁾ | | 0.5 | 10 | | 0.5 | 10 | Sec |
| Chip Program Time ⁽³⁾⁽⁴⁾ | | 2 | 12.5 | | 2 | 12.5 | Sec |

Note:

- (1) Please refer to Supply characteristics for the value of V_{PPH} and V_{PPL}. The V_{PP} supply can be either hardwired or switched. If V_{PP} is switched, V_{PPL} can be ground, less than V_{CC} + 2.0V or a no connect with a resistor tied to ground.
- (2) Program and Erase operations are controlled by internal stop timers.
- (3) 'Typicals' are not guaranteed, but based on characterization data. Data taken at 25°C, 12.0V V_{PP}.
- (4) Minimum byte programming time (excluding system overhead) is 16 μs (10 μs program + 6 μs write recovery), while maximum is 400 μs/byte (16 μs x 25 loops). Max chip programming time is specified lower than the worst case allowed by the programming algorithm since most bytes program significantly faster than the worst case byte.
- (5) Excludes 00H Programming prior to Erasure.

FUNCTION TABLE⁽¹⁾

| Mode | Pins | | | | | Notes |
|--------------------|------------------------|------------------------|------------------------|------------------|------------------|---|
| | $\overline{\text{CE}}$ | $\overline{\text{OE}}$ | $\overline{\text{WE}}$ | V_{PP} | I/O | |
| Read | V_{IL} | V_{IL} | V_{IH} | V_{PPL} | D_{OUT} | |
| Output Disable | V_{IL} | V_{IH} | V_{IH} | X | High-Z | |
| Standby | V_{IH} | X | X | V_{PPL} | High-Z | |
| Signature (MFG) | V_{IL} | V_{IL} | V_{IH} | X | 31H | $A_0 = V_{\text{IL}}, A_9 = 12\text{V}$ |
| Signature (Device) | V_{IL} | V_{IL} | V_{IH} | X | B4H | $A_0 = V_{\text{IH}}, A_9 = 12\text{V}$ |
| Program/Erase | V_{IL} | V_{IH} | V_{IL} | V_{PPH} | D_{IN} | See Command Table |
| Write Cycle | V_{IL} | V_{IH} | V_{IL} | V_{PPH} | D_{IN} | During Write Cycle |
| Read Cycle | V_{IL} | V_{IL} | V_{IH} | V_{PPH} | D_{OUT} | During Write Cycle |

WRITE COMMAND TABLE

Commands are written into the command register in one or two write cycles. The command register can be altered only when V_{PP} is high and the instruction byte is latched on the rising edge of $\overline{\text{WE}}$. Write cycles also internally latch addresses and data required for programming and erase operations.

| Mode | Pins | | | | | | |
|--------------------|-----------------|-----------------|-----------------|------------------|-----------------|-----------------|------------------|
| | First Bus Cycle | | | Second Bus Cycle | | | |
| | Operation | Address | D_{IN} | Operation | Address | D_{IN} | D_{OUT} |
| Set Read | Write | X | 00H | Read | A_{IN} | | D_{OUT} |
| Read Sig. (MFG) | Write | X | 90H | Read | 00 | | 31H |
| Read Sig. (Device) | Write | X | 90H | Read | 01 | | B4H |
| Erase | Write | X | 20H | Write | X | 20H | |
| Erase Verify | Write | A_{IN} | A0H | Read | X | | D_{OUT} |
| Program | Write | X | 40H | Write | A_{IN} | D_{IN} | |
| Program Verify | Write | X | C0H | Read | X | | D_{OUT} |
| Reset | Write | X | FFH | Write | X | FFH | |

Note:

(1) Logic Levels: X = Logic 'Do not care' ($V_{\text{IH}}, V_{\text{IL}}, V_{\text{PPL}}, V_{\text{PPH}}$)

READ OPERATIONS

Read Mode

A Read operation is performed with both \overline{CE} and \overline{OE} low and with \overline{WE} high. V_{PP} can be either high or low, however, if V_{PP} is high, the Set READ command has to be sent before reading data (see Write Operations). The data retrieved from the I/O pins reflects the contents of the memory location corresponding to the state of the 17 address pins. The respective timing waveforms for the read operation are shown in Figure 3. Refer to the AC Read characteristics for specific timing parameters.

Signature Mode

The signature mode allows the user to identify the IC manufacturer and the type of device while the device resides in the target system. This mode can be activated in either of two ways; through the conventional method of applying a high voltage (12V) to address pin A_9 or by sending an instruction to the command register (see Write Operations).

The conventional mode is entered as a regular READ mode by driving the \overline{CE} and \overline{OE} pins low (with \overline{WE} high), and applying the required high voltage on address pin A_9 while all other address lines are held at V_{IL} .

A Read cycle from address 0000H retrieves the binary code for the IC manufacturer on outputs I/O₀ to I/O₇:

CATALYST Code = 00110001 (31H)

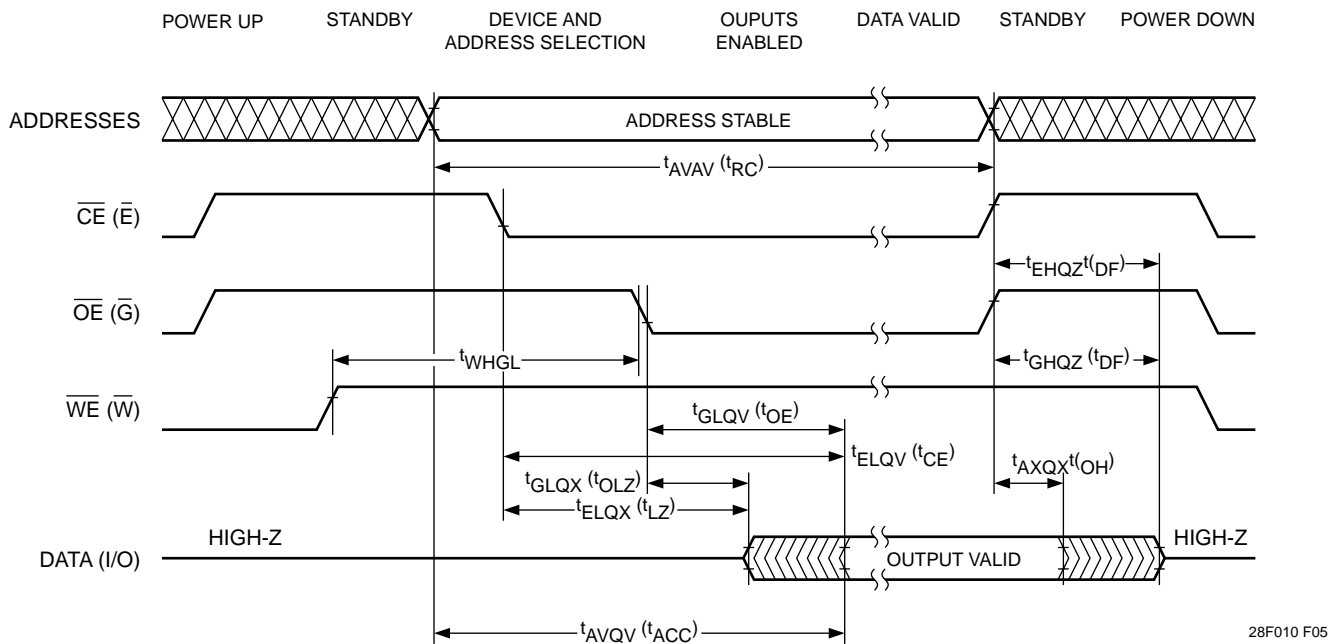
A Read cycle from address 0001H retrieves the binary code for the device on outputs I/O₀ to I/O₇.

28F010 Code = 1011 0100 (B4H)

Standby Mode

With \overline{CE} at a logic-high level, the CAT28F010 is placed in a standby mode where most of the device circuitry is disabled, thereby substantially reducing power consumption. The outputs are placed in a high-impedance state.

Figure 3. A.C. Timing for Read Operation



28F010 F05

WRITE OPERATIONS

The following operations are initiated by observing the sequence specified in the Write Command Table.

Read Mode

The device can be put into a standard READ mode by initiating a write cycle with 00H on the data bus. The subsequent read cycles will be performed similar to a standard EPROM or E²PROM Read.

Signature Mode

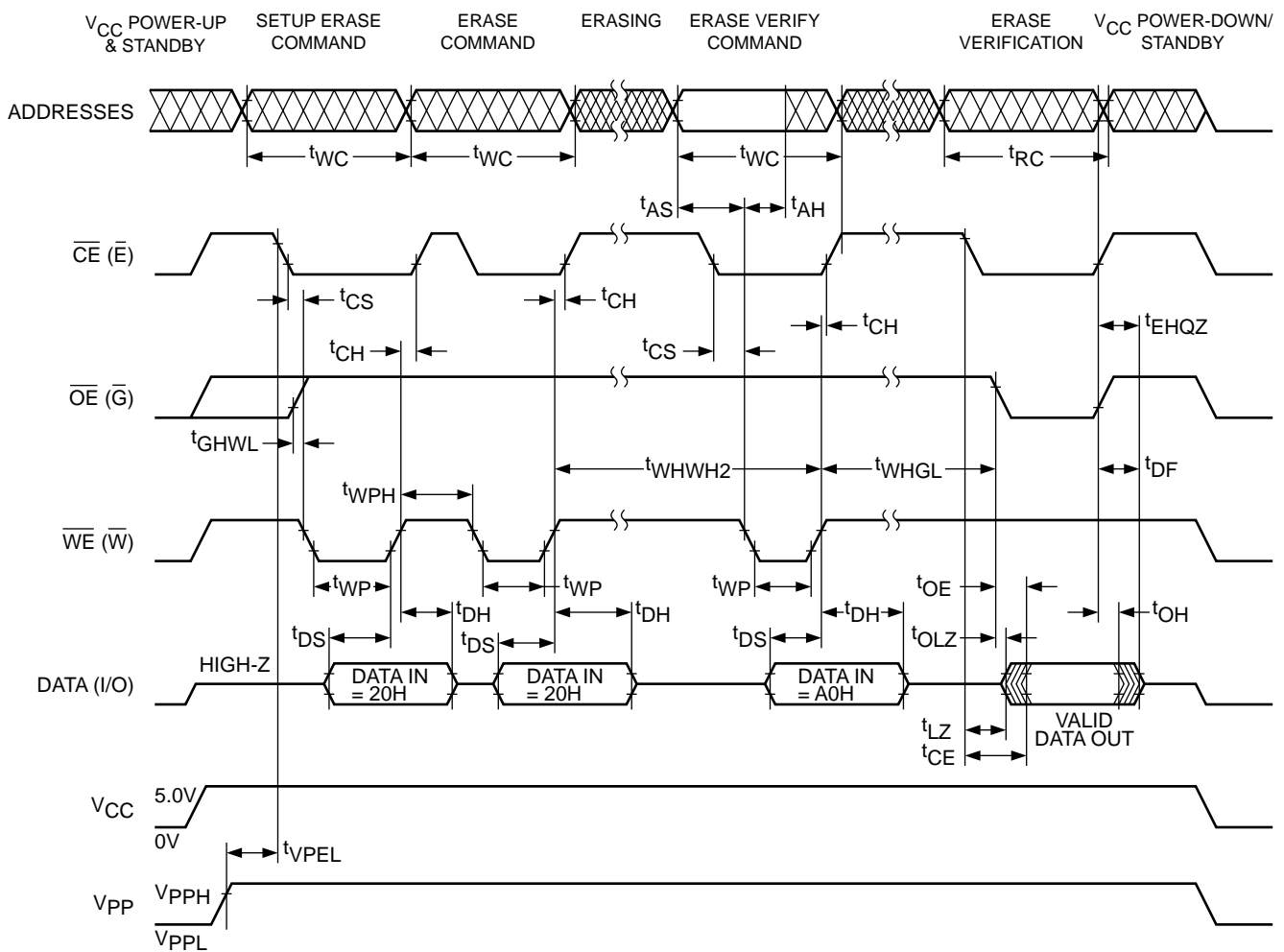
An alternative method for reading device signature (see Read Operations Signature Mode), is initiated by writing the code 90H into the command register while keeping V_{PP} high. A read cycle from address 0000H with \overline{CE} and \overline{OE} low (and \overline{WE} high) will output the device signature.

CATALYST Code = 00110001 (31H)

A Read cycle from address 0001H retrieves the binary code for the device on outputs I/O₀ to I/O₇.

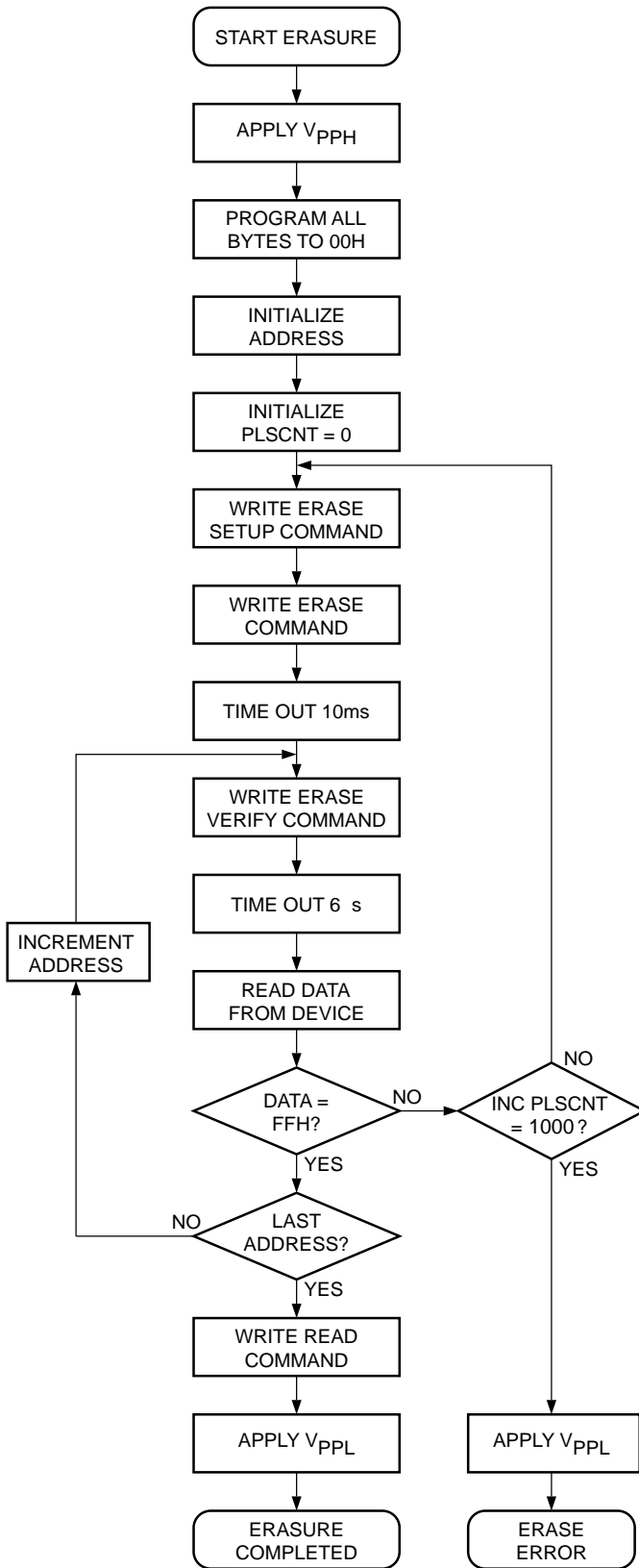
28F010 Code = 1011 0100 (B4H)

Figure 4. A.C. Timing for Erase Operation



28F010 F11

Figure 5. Chip Erase Algorithm⁽¹⁾



| BUS OPERATION | COMMAND | COMMENTS |
|---------------|--------------|---|
| STANDBY | | V _{PP} RAMPS TO V _{PPH} (OR V _{PP} HARDWIRED) ALL BYTES SHALL BE PROGRAMMED TO 00 BEFORE AN ERASE OPERATION INITIALIZE ADDRESS PLSCNT = PULSE COUNT |
| WRITE | ERASE | DATA = 20H |
| WRITE | ERASE | DATA = 20H |
| | | WAIT |
| WRITE | ERASE VERIFY | ADDRESS = BYTE TO VERIFY DATA = A0H STOPS ERASE OPERATION |
| | | WAIT |
| READ | | READ BYTE TO VERIFY ERASURE |
| STANDBY | | COMPARE OUTPUT TO FF INCREMENT PULSE COUNT |
| WRITE | READ | DATA = 00H RESETS THE REGISTER FOR READ OPERATION |
| STANDBY | | V _{PP} RAMPS TO V _{PPL} (OR V _{PP} HARDWIRED) |

Note:

(1) The algorithm MUST BE FOLLOWED to ensure proper and reliable operation of the device.

Erase Mode

During the first Write cycle, the command 20H is written into the command register. In order to commence the erase operation, the identical command of 20H has to be written again into the register. This two-step process ensures against accidental erasure of the memory contents. The final erase cycle will be stopped at the rising edge of \overline{WE} , at which time the Erase Verify command (A0H) is sent to the command register. During this cycle, the address to be verified is sent to the address bus and latched when \overline{WE} goes low. An integrated stop timer allows for automatic timing control over this operation, eliminating the need for a maximum erase timing specification. Refer to AC Characteristics (Program/Erase) for specific timing parameters.

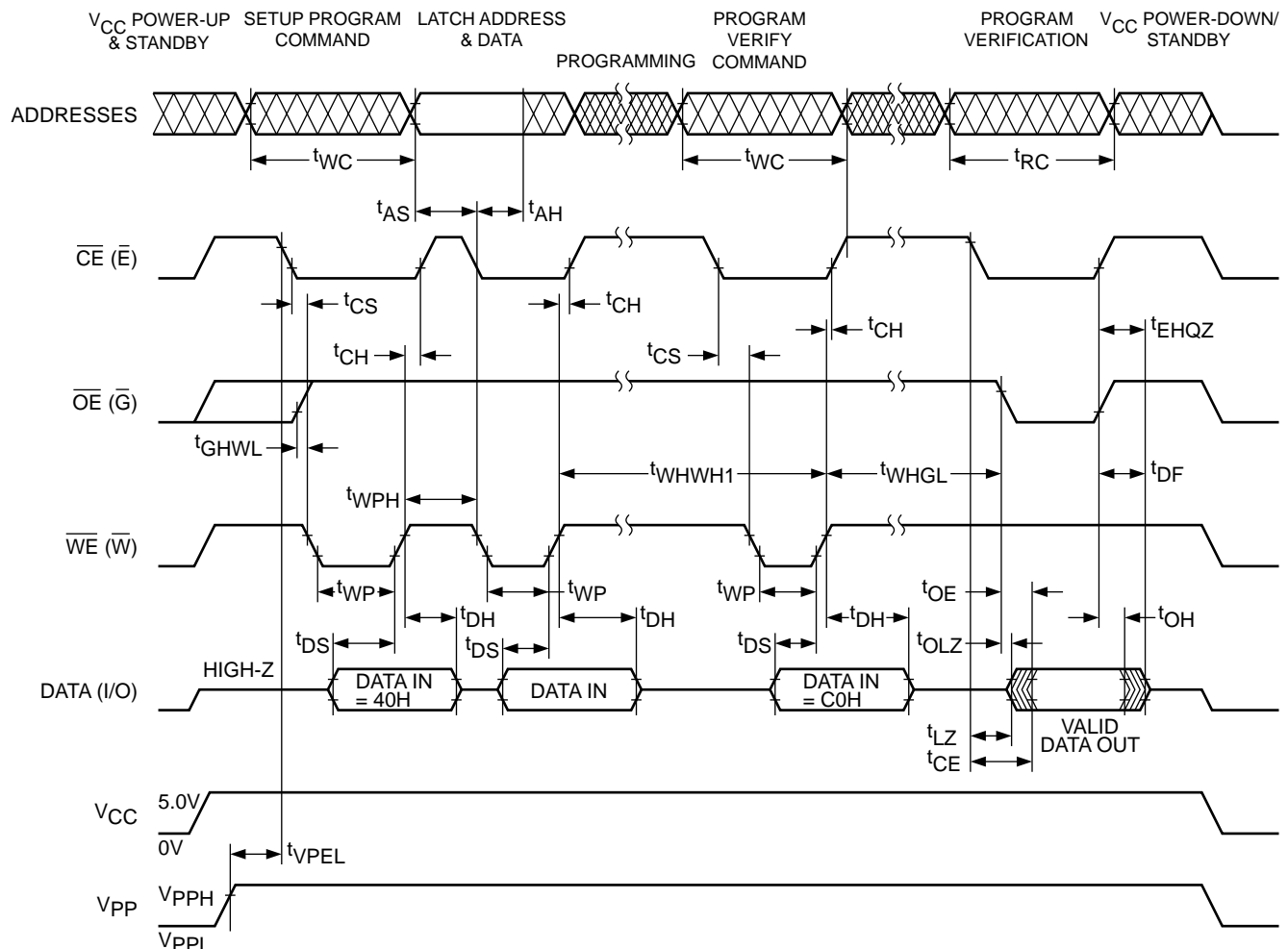
Erase-Verify Mode

The Erase-verify operation is performed on every byte after each erase pulse to verify that the bits have been erased.

Programming Mode

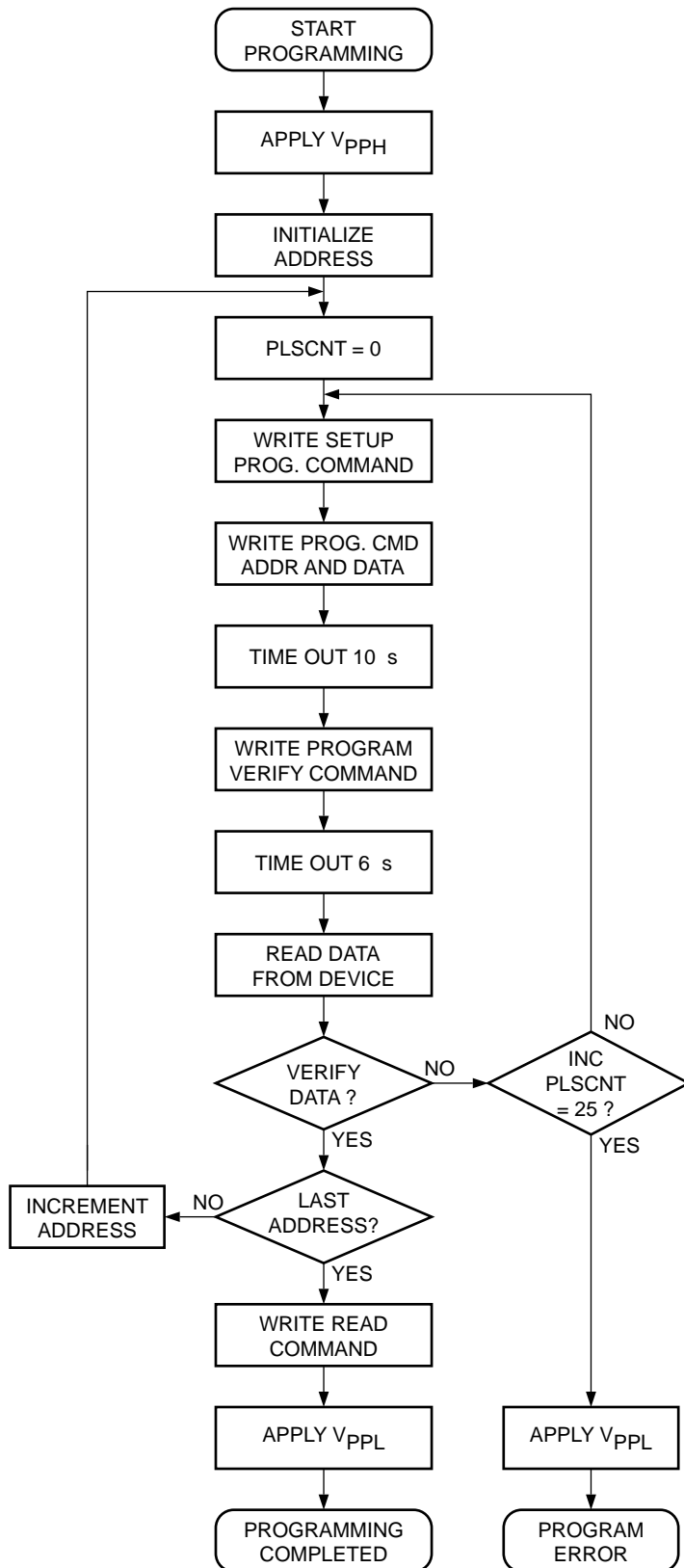
The programming operation is initiated using the programming algorithm of Figure 7. During the first write cycle, the command 40H is written into the command register. During the second write cycle, the address of the memory location to be programmed is latched on the falling edge of \overline{WE} , while the data is latched on the rising edge of \overline{WE} . The program operation terminates with the next rising edge of \overline{WE} . An integrated stop timer allows for automatic timing control over this operation, eliminating the need for a maximum program timing specification. Refer to AC Characteristics (Program/Erase) for specific timing parameters.

Figure 6. A.C. Timing for Programming Operation



28F010 F08

Figure 7. Programming Algorithm(1)



| BUS OPERATION | COMMAND | COMMENTS |
|-----------------|----------------|--|
| STANDBY | | V _{pp} RAMPS TO V _{ppH} (OR V _{pp} HARDWIRED) |
| | | INITIALIZE ADDRESS |
| | | INITIALIZE PULSE COUNT PLSCNT = PULSE COUNT |
| 1ST WRITE CYCLE | WRITE SETUP | DATA = 40H |
| 2ND WRITE CYCLE | PROGRAM | VALID ADDRESS AND DATA |
| | | WAIT |
| 1ST WRITE CYCLE | PROGRAM VERIFY | DATA = C0H |
| | | WAIT |
| READ | | READ BYTE TO VERIFY PROGRAMMING |
| STANDBY | | COMPARE DATA OUTPUT TO DATA EXPECTED |
| 1ST WRITE CYCLE | READ | DATA = 00H SETS THE REGISTER FOR READ OPERATION |
| STANDBY | | V _{pp} RAMPS TO V _{ppL} (OR V _{pp} HARDWIRED) |

Note:

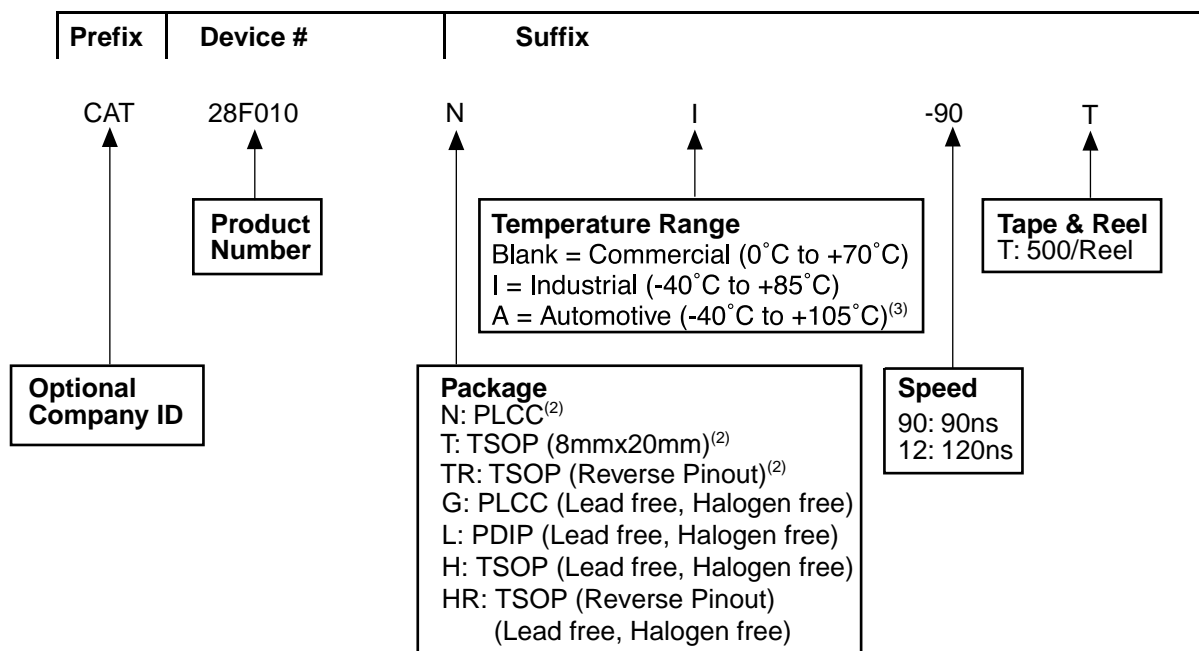
(1) The algorithm MUST BE FOLLOWED to ensure proper and reliable operation of the device.

A.C. CHARACTERISTICS, Read Operation

V_{CC} = +5V ±10%, unless otherwise specified.

| JEDEC | Standard | | 28F010-90 | | | 28F010-12 | | | |
|-------------------|------------------|---|-----------|-----|-----|-----------|-----|------|------|
| Symbol | Symbol | Parameter | Min. | Typ | Max | Min. | Typ | Max. | Unit |
| t _{AVAV} | t _{WC} | Write Cycle Time | 90 | | | 120 | | | ns |
| t _{AVEL} | t _{AS} | Address Setup Time | 0 | | | 0 | | | ns |
| t _{ELAX} | t _{AH} | Address Hold Time | 40 | | | 40 | | | ns |
| t _{DVEH} | t _{DS} | Data Setup Time | 40 | | | 40 | | | ns |
| t _{EHDX} | t _{DH} | Data Hold Time | 10 | | | 10 | | | ns |
| t _{EHGL} | | Write Recovery Time | | | | | | | |
| | - | Before Read | 0 | | | 0 | | | μs |
| t _{GHEL} | | Read Recovery Time | | | | | | | |
| | - | Before Write | 0 | | | 0 | | | μs |
| t _{WLEL} | t _{WS} | \overline{WE} Setup time Before \overline{CE} | 0 | | | 0 | | | ns |
| t _{EHWH} | - | \overline{WE} Hold Time After \overline{CE} | 0 | | | 0 | | | ns |
| t _{ELEH} | t _{CP} | Write Pulse Width | 40 | | | 40 | | | ns |
| t _{EHEL} | t _{CPH} | Write Pulse Width High | 20 | | | 20 | | | ns |
| t _{VPEL} | - | V _{PP} Setup Time to \overline{CE} Low | 100 | | | 100 | | | ns |

EXAMPLE OF ORDERING INFORMATION⁽¹⁾



ORDERING INFORMATION


| Orderable Part Numbers (for Pb-Free Devices) | |
|--|------------------|
| CAT28F010GA-12T | CAT28F010HRA-12T |
| CAT28F010GA-90T | CAT28F010HRA-90T |
| CAT28F010GI-12T | CAT28F010HRI-12T |
| CAT28F010GI-90T | CAT28F010HRI-90T |
| CAT28F010HA-12T | CAT28F010LA12 |
| CAT28F010HA-90T | CAT28F010LA90 |
| CAT28F010HI-12T | CAT28F010LI12 |
| CAT28F010HI-90T | CAT28F010LI90 |

Notes:

- (1) The device used in the above example is a CAT28F010NI-90T(PLCC, Industrial Temperature, 90 ns access time, Tape & Reel).
- (2) Solder-plate (tin-lead) packages, contact Factory for availability.
- (3) -40°C to +125°C is available upon request.

REVISION HISTORY

| Date | Revision | Description |
|-----------|----------|--|
| 01-Jul-04 | D | Added Green Packages in all areas. |
| 15-Oct-08 | E | Eliminate PDIP SnPb package. |
| 17-Nov-08 | F | Change logo and fine print to ON Semiconductor |
| 31-Jul-09 | G | Update Absolute Maximum Ratings Update Example of Ordering Information Update Ordering Information table |

ON Semiconductor and  are registered trademarks of Semiconductor Components Industries, LLC (SCILLC). SCILLC reserves the right to make changes without further notice to any products herein. SCILLC makes no warranty, representation or guarantee regarding the suitability of its products for any particular purpose, nor does SCILLC assume any liability arising out of the application or use of any product or circuit, and specifically disclaims any and all liability, including without limitation special, consequential or incidental damages. "Typical" parameters which may be provided in SCILLC data sheets and/or specifications can and do vary in different applications and actual performance may vary over time. All operating parameters, including "Typicals" must be validated for each customer application by customer's technical experts. SCILLC does not convey any license under its patent rights nor the rights of others. SCILLC products are not designed, intended, or authorized for use as components in systems intended for surgical implant into the body, or other applications intended to support or sustain life, or for any other application in which the failure of the SCILLC product could create a situation where personal injury or death may occur. Should Buyer purchase or use SCILLC products for any such unintended or unauthorized application, Buyer shall indemnify and hold SCILLC and its officers, employees, subsidiaries, affiliates, and distributors harmless against all claims, costs, damages, and expenses, and reasonable attorney fees arising out of, directly or indirectly, any claim of personal injury or death associated with such unintended or unauthorized use, even if such claim alleges that SCILLC was negligent regarding the design or manufacture of the part. SCILLC is an Equal Opportunity/Affirmative Action Employer. This literature is subject to all applicable copyright laws and is not for resale in any manner.

PUBLICATION ORDERING INFORMATION

LITERATURE FULFILLMENT:
Literature Distribution Center for ON Semiconductor
P.O. Box 5163, Denver, Colorado 80217 USA
Phone: 303-675-2175 or 800-344-3860 Toll Free USA/Canada
Fax: 303-675-2176 or 800-344-3867 Toll Free USA/Canada
Email: orderlit@onsemi.com

N. American Technical Support: 800-282-9855
Toll Free
USA/Canada
Europe, Middle East and Africa Technical Support:
Phone: 421 33 790 2910
Japan Customer Focus Center:
Phone: 81-3-5773-3850

ON Semiconductor Website: www.onsemi.com
Order Literature: <http://www.onsemi.com/orderlit>
For additional information, please contact your local Sales Representative